

# Angular Contact Ball Bearings

Bearing No. : **NACHI 7200BDF**

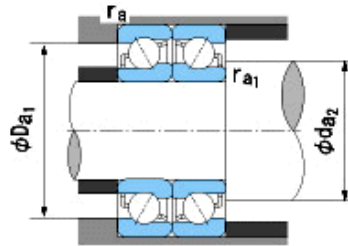
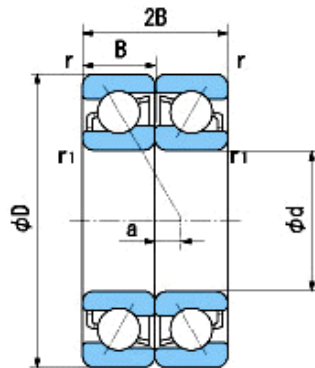
■ Bearing Type

■ Clearance

■ Tolerance Class

Dimensions

d = 10 <sup>0</sup>/<sub>-0.008</sub>  
 D = 30 <sup>0</sup>/<sub>-0.009</sub>  
 B = 9 <sup>0</sup>/<sub>0.000</sub>  
 r = 0.6~1  
 (Radial Direction)  
 r = 0.6~2  
 (Axial Direction)  
 r1 = 0.3~0.6  
 (Radial Direction)  
 r1 = 0.3~1  
 (Axial Direction)  
 a = 3.9



Dimensions

da1(min) = 15  
 da2(min) = 12  
 Da1(max) = 25  
 Da2(max) = 27.4  
 ra(max) = 0.6  
 ra1(max) = 0.3  
 Mass = 0.068 kg

|                                |                                 |
|--------------------------------|---------------------------------|
| Basic Dynamic Load Rating Cr : | <b>8,350</b> N                  |
| Basic Static Load Rating Cor : | <b>5,150</b> N                  |
| Limiting Speed ;               |                                 |
| Grease Lubrication :           | <b>16,000</b> min <sup>-1</sup> |
| Oil Lubrication :              | <b>22,000</b> min <sup>-1</sup> |

|                                | INNER RING   | OUTER RING   |
|--------------------------------|--------------|--------------|
| O.D.Surface Runout with Side : |              | -            |
| Axial Runout with Bore :       | -            |              |
| Axial Runout with Raceway :    | -            |              |
| Width Variation :              | <b>0.015</b> | <b>0.015</b> |
| Radial Runout :                | <b>0.010</b> | <b>0.015</b> |